

Miller 10,000 lb. (10K) Zinc-Plated Swivel Anchors

Description

Miller 10K Zinc-Plated Swivel Anchors are designed to be installed on concrete or steel structures. A variety of installation kits are available to meet your application needs.

Materials

Swivel: Zinc-plated steel

Technical

Ultimate
Tensile Strength: 10,000 lbf. (44 kN)
Maximum User Weight: 310 lbs. (140 kg)
Working Load: 2,000 lbs. (908 kg)



RACSWY100S

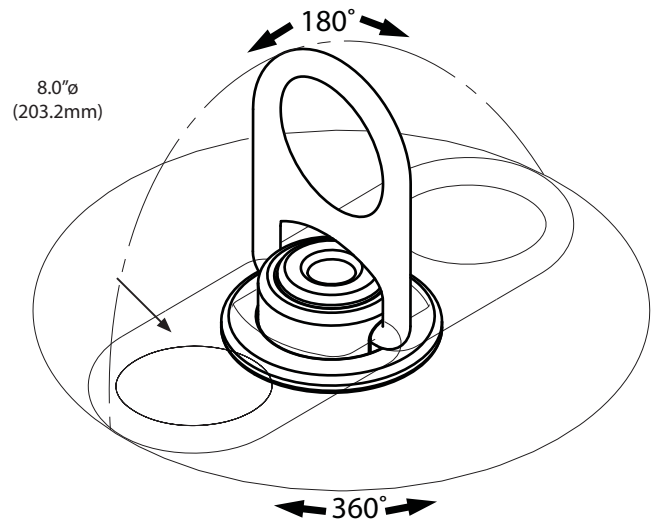
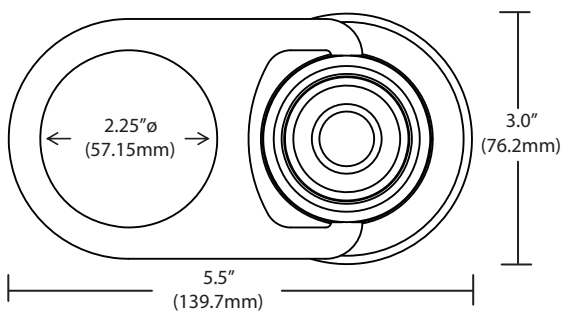
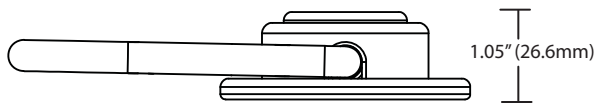
Certifications

Meets all ANSI Z359.1-2007, Z359.7-2011 and OSHA 1926.502 requirements.

10,000 lb. (10K) Zinc Plated Swivel Anchors		
Model Number	Description	Weight
RACSWY100N	10K zinc-plated swivel only (hardware not included)	1.4 lbs. (0.6 kg)
RACSWY100S	10K zinc-plated swivel anchor with steel mounting hardware	1.9 lbs. (0.9 kg)
RACSWY100C	10K zinc-plated swivel anchor with concrete mounting hardware	2.1 lbs. (1.0 kg)
RACSWY1SBA	Steel mounting hardware only (swivel not included) - steel bolt 10K 5/8"-11" x 4" hexagonal cap grade 8 ZN-Y bolt with locknut & lock washer	N/A
RACSWY1CSA	Concrete mounting hardware only (swivel not included) - concrete bolt 10K 3/4" X 5" concrete sleeve anchor	N/A
RACSWP100N-KIT	Weld kit for RACSWY100N - Puck with 5/8"-11" Spirallock® thread & 5/8"-11" x 1.75" grade 8 hexagonal head bolt	2.3 lbs. (1.0 kg)
RACSWX100N	6"x4"x1/4" steel back plate for RACSWY100N - steel bolt not included (steel bolt 5/8"-11" x length dependent on customer hexagonal cap grade 8 ZN-Y bolt with locknut & lock washer)	1.7 lbs. (0.8 kg)

Miller 10,000 lb. (10K) Zinc Plated Swivel Anchors

Drawings and Measurements



by Honeywell

Toll Free 800.873.5242 (press 4) • hsptechsupport@honeywell.com • www.millerfallprotection.com

WARNING! THIS DOCUMENT PROVIDES AN OVERVIEW OF FALL PROTECTION PRODUCTS AVAILABLE FROM HONEYWELL AND CARE HAS BEEN TAKEN TO ASSURE THE ACCURACY OF THE DATA. IT DOES NOT PROVIDE IMPORTANT PRODUCT WARNINGS AND INSTRUCTIONS. HONEYWELL RECOMMENDS ALL USERS OF FALL PROTECTION EQUIPMENT UNDERGO THOROUGH TRAINING, AND THAT ALL WARNINGS AND INSTRUCTIONS PROVIDED WITH THE PRODUCTS BE THOROUGHLY READ AND UNDERSTOOD PRIOR TO EACH USE. FAILURE TO READ AND FOLLOW ALL PRODUCT WARNINGS AND INSTRUCTIONS COULD RESULT IN SERIOUS INJURY OR DEATH.