

# Miller 5,000 lb. (5K) Stainless Steel Swivel Anchors

## Description

Miller 5K Stainless Steel Swivel Anchors are designed to be installed on concrete or steel structures. A variety of installation kits are available to meet your application needs.

## Materials

Swivel: Stainless steel

## Technical

Ultimate

Tensile Strength: 5,000 lbf. (22 kN)

Maximum User Weight: 310 lbs. (140 kg)

Working Load: 1,000 lbs. (454 kg)



RACSWS100S-316

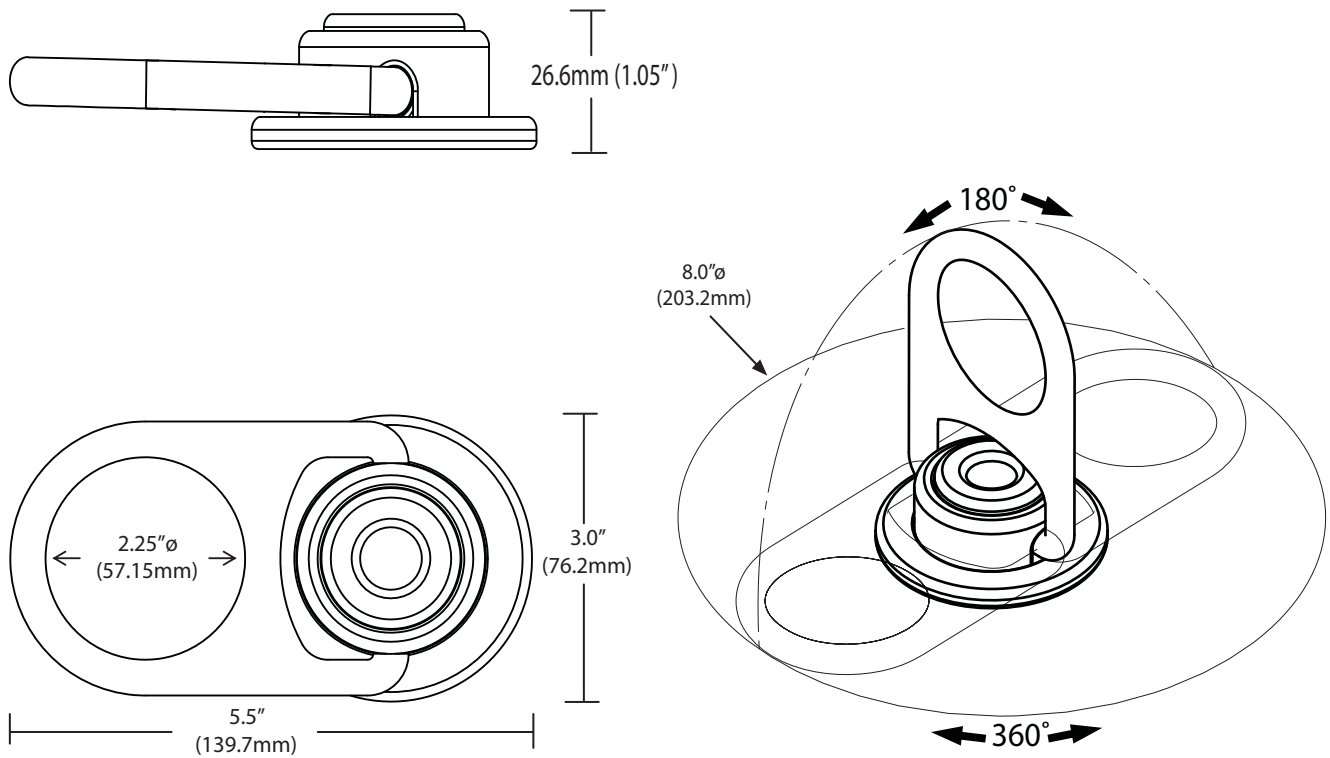
## Certifications

Meets all ANSI Z359.1-2007, Z359.7-2011 and OSHA 1926.502 requirements.

5,000 lb. (5K) Stainless Steel Swivel Anchors		
Model Number	Description	Weight
RACSWS100N-316	5K stainless steel swivel only (hardware not included)	1.4 lbs. (0.6 kg)
RACSWS100S-316	5K stainless steel swivel anchor with stainless steel mounting hardware	2.0 lbs. (0.9 kg)
RACSWS100C-316	5K stainless steel swivel anchor with concrete mounting hardware - RACDNC-TOOL required (sold separately)	1.9 lbs. (0.9 kg)
RACSWS1SBA-316	Stainless steel mounting hardware only (swivel not included) - 316SS 5/8" X 4" bolt flat washer nylon locknut	N/A
RACSWS1DNC-316	Concrete mounting hardware only (swivel not included)	N/A
RACDNC-TOOL	Concrete bolt assembly tool	0.7 lbs. (0.3 kg)
RACSWP100N-316	Weld kit for RACSWS100N-316 - Puck with 5/8"-11" Spirallock® thread & 5/8"-11" x 1.75" grade 8 hexagonal head bolt	3.7 lbs. (1.7 kg)

# Miller 5,000 lb. (5K) Stainless Steel Swivel Anchors

## Drawings and Measurements



by Honeywell

Toll Free 800.873.5242 (press 4) • [hsptechsupport@honeywell.com](mailto:hsptechsupport@honeywell.com) • [www.millerfallprotection.com](http://www.millerfallprotection.com)

**⚠ WARNING!** THIS DOCUMENT PROVIDES AN OVERVIEW OF FALL PROTECTION PRODUCTS AVAILABLE FROM HONEYWELL AND CARE HAS BEEN TAKEN TO ASSURE THE ACCURACY OF THE DATA. IT DOES NOT PROVIDE IMPORTANT PRODUCT WARNINGS AND INSTRUCTIONS. HONEYWELL RECOMMENDS ALL USERS OF FALL PROTECTION EQUIPMENT UNDERGO THOROUGH TRAINING, AND THAT ALL WARNINGS AND INSTRUCTIONS PROVIDED WITH THE PRODUCTS BE THOROUGHLY READ AND UNDERSTOOD PRIOR TO EACH USE. FAILURE TO READ AND FOLLOW ALL PRODUCT WARNINGS AND INSTRUCTIONS COULD RESULT IN SERIOUS INJURY OR DEATH.