

Miller 10,000 lb. (10K) Swivel Hybrid Anchor

Description

The Miller 10K Swivel Hybrid Anchor combines the technology of the new Swivel Anchor and the Miller Grip™ Anchor, resulting in a high-strength Swivel Anchor that can be removed and simply re-installed in a new location.

Materials

Swivel:	Zinc plated steel
Bushing:	Polyurethane
Bolt:	Zinc plated steel
Sleeve:	Zinc plated steel
Cone:	Stainless steel
Spoons :	Stainless steel
Return Wire:	Aircraft cable
Retaining Bushing:	Zinc plated steel

Technical

Ultimate	
Tensile Strength:	10,000 lbf. (44 kN)
Maximum User Weight:	310 lbs. (140 kg)
Working Load:	2,000 lbs. (908 kg)

Certifications

Meets all ANSI Z359.1-2007, Z359.7-2011 and OSHA 1926.502 requirements.

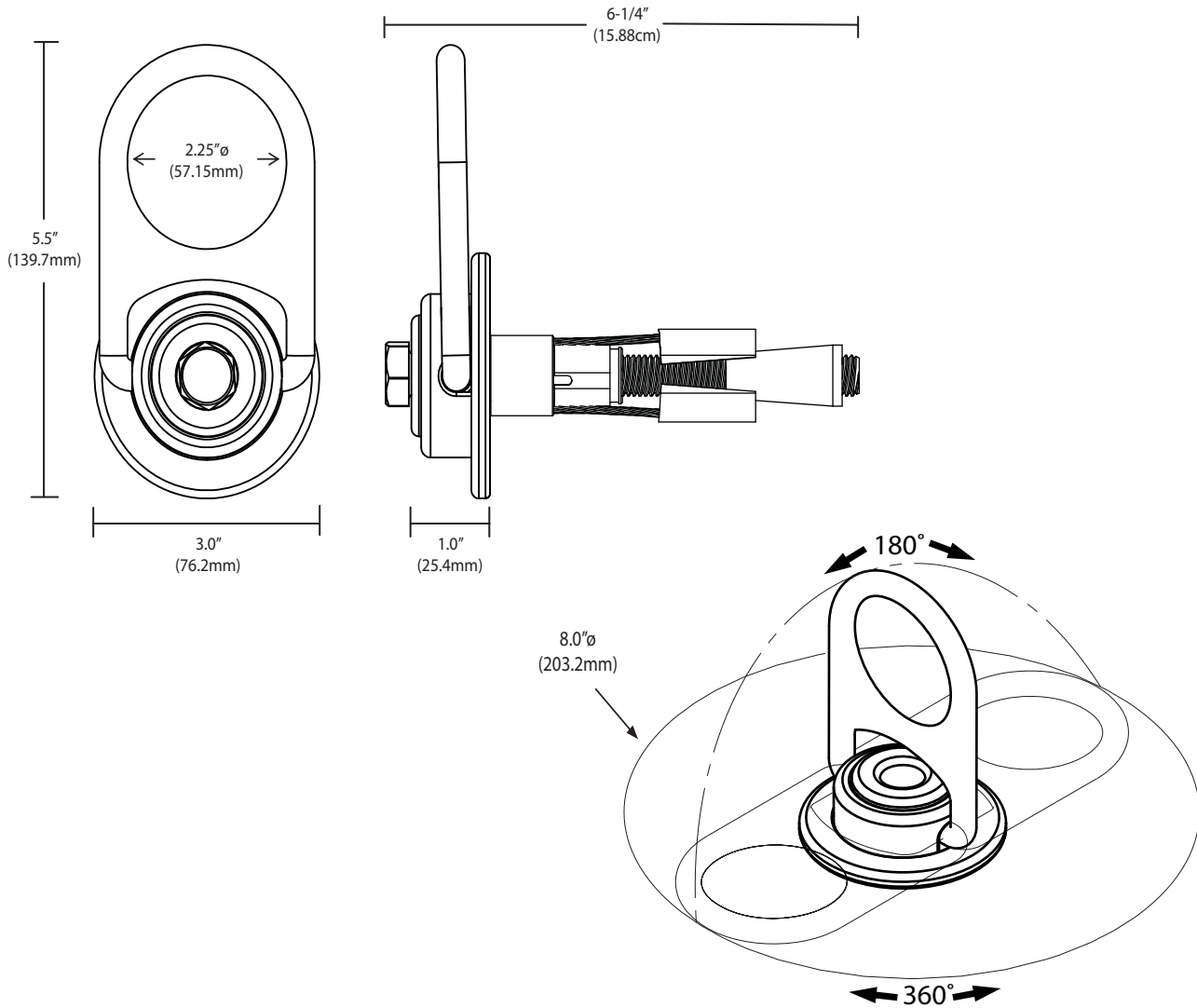


RACSWH100Y

Miller Hybrid 10,000 lb. (10K) Swivel Hybrid Anchor				
Model	Application	Color	Loading	Weight
RACSWH100Y	Concrete Mounting	Gold Zinc	10,000 lbf. (44 kN)	2.09 lbs. (.95 kg)

Miller 10,000 lb. (10K) Swivel Hybrid Anchor

Drawings and Measurements



by Honeywell

Toll Free 800.873.5242 (press 4) • hsptechsupport@honeywell.com • www.millerfallprotection.com

WARNING! THIS DOCUMENT PROVIDES AN OVERVIEW OF FALL PROTECTION PRODUCTS AVAILABLE FROM HONEYWELL AND CARE HAS BEEN TAKEN TO ASSURE THE ACCURACY OF THE DATA. IT DOES NOT PROVIDE IMPORTANT PRODUCT WARNINGS AND INSTRUCTIONS. HONEYWELL RECOMMENDS ALL USERS OF FALL PROTECTION EQUIPMENT UNDERGO THOROUGH TRAINING, AND THAT ALL WARNINGS AND INSTRUCTIONS PROVIDED WITH THE PRODUCTS BE THOROUGHLY READ AND UNDERSTOOD PRIOR TO EACH USE. FAILURE TO READ AND FOLLOW ALL PRODUCT WARNINGS AND INSTRUCTIONS COULD RESULT IN SERIOUS INJURY OR DEATH.