

**User  
Instruction Manual**

**Manuel D'utilisation**

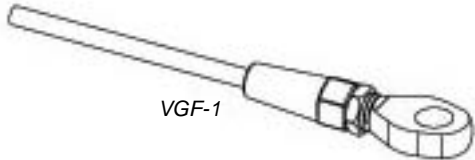
**Manual de Instrucciones  
Para El Usuario**



VGTC

**⚠ WARNING**

All persons using this equipment must read, understand and follow all instructions. In addition, all instructions provided with the cable and/or lifeline system with which this equipment is being used must be followed. Failure to do so may result in serious injury or death.



VGF-1

Cable Termination Fittings are designed to provide a safe and effective option for terminating the cable during field installation of a cable lifeline system.

The Cable Termination Fittings listed below are designed for use with Miller approved components. Substitution or replacement with non-approved component combinations, sub-systems, or both, may affect or interfere with the safe function of each other and endanger the compatibility within the system. This incompatibility may affect the reliability and safety of the total system.

Model No.	Product Description	Compatible Cable
VGTC	Galvanized Steel Thimble and Wire Rope Cable Termination Kit	3/8" diameter approved cable only
VGF-1	Stainless Steel Fast-Attach Fitting	3/8" diameter approved cable only

## Warnings and Limitations

All components of the Cable Termination Fittings must be inspected before each use.

All equipment used in conjunction with the cable fittings must be inspected before each use according to the manufacturer's instructions.

Equipment must not be altered in any way.

Do not expose the equipment to any hazard which it is not designed to withstand.

Any component exhibiting deformities, unusual wear, or deterioration must be immediately discarded.

Cable Termination Fittings must only be used with the approved specified cable (refer to table on page 1). Cable lifeline must be clean.

Any equipment subject to fall arrest forces must be removed from service.

Only original replacement parts are approved for use with this equipment. Do not use substitute components. Contact Miller Technical Services at 800.873.5242 if you have any questions.

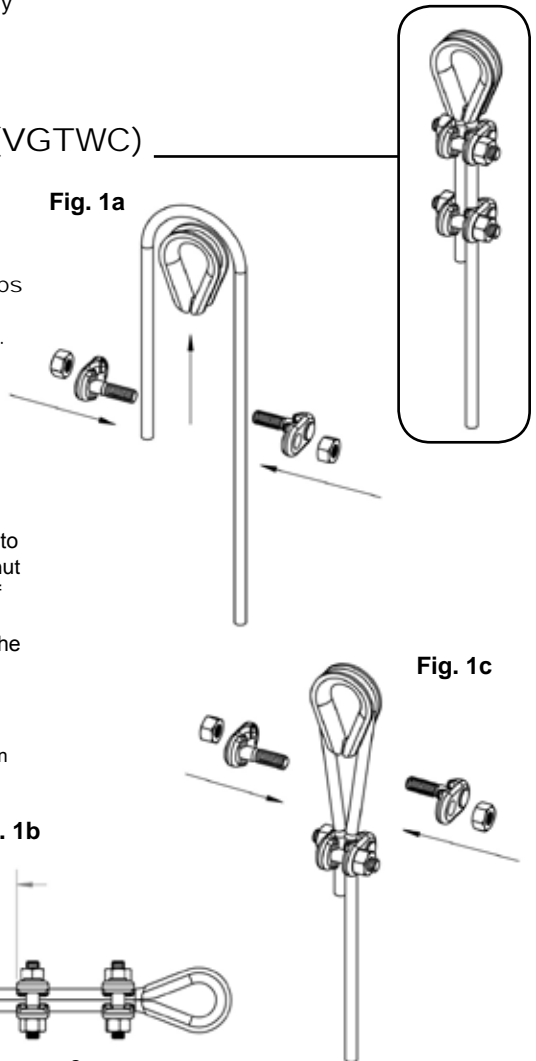
## Thimble and Wire Rope Cable Termination Kit (VGTWC)

For use with 3/8" diameter approved cable only.

Warning: Use only 3/8" cable clips provided. Do not substitute with other manufacturers' cable clips.

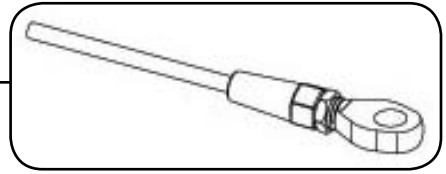
1. Feed cable around cable thimble, turning back 5-1/4" of cable from thimble (see Figure 1a). (Measure turn back from narrow thimble end.) Install first cable clip one clip base width (1-1/8") from dead end of rope (see Figure 1b). Use torque wrench to tighten evenly, alternating from one nut to the other until reaching a torque of 45 ft. lbs.\*
2. Install second cable clip as close to the thimble as possible (see Figure 1c). Again, use torque wrench to tighten evenly to 45 ft. lbs.\*

\*The tightening torque value is based upon the threads being clean, dry, and free of lubrication.

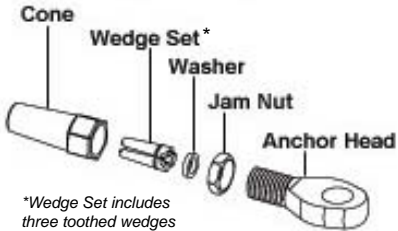


## Fast-Attach Fitting (VGF-1)

For use with 3/8" diameter approved cable only.



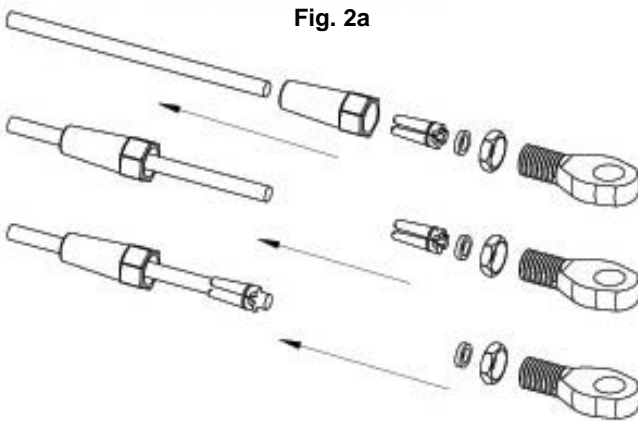
Disassemble the fitting and verify components.



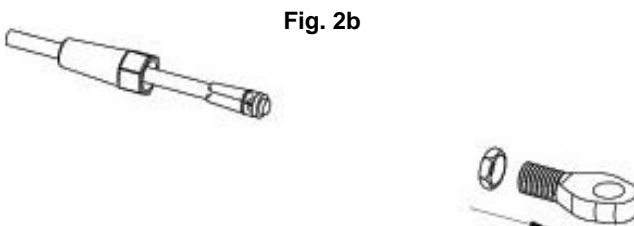
*\*Wedge Set includes three toothed wedges and retaining ring.*

**Warning: Do not use fitting if any parts are missing. Do not substitute with other manufacturers' components.**

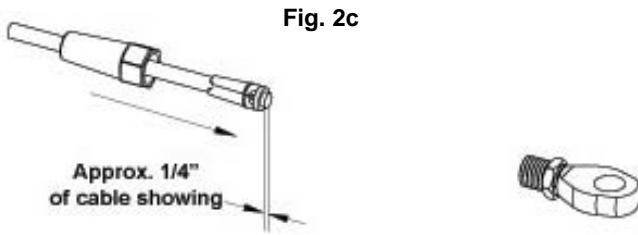
1. Slide the cone, wedge set and washer onto the cable end as shown (see Fig. 2a).



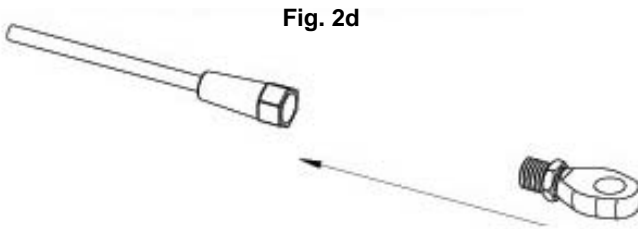
2. Screw the jam nut onto the anchor head (see Fig. 2b).



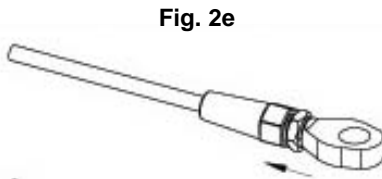
- Slide the cone over the wedge set and washer (see Fig. 2c).



- Screw the anchor head into the cone (see Fig. 2d).



- Tighten the jam nut down onto the cone (see Fig. 2e). Torque to approximately 20 ft. lbs.



## Inspection and Maintenance

---

Visually inspect Cable Termination Fittings before each use. Regular inspection by a competent person for wear, damage or corrosion should be a part of your safety program. A record log of inspection dates should be maintained. **Replace equipment if any of the defective conditions explained in this manual are found.**

- Check components for damage, cracks, wear and corrosion.
- Inspect for missing components. [For replacement parts call: 800.873.5242]
- Ensure that fittings are tightened according to instructions. Verify torque specifications when applicable.
- Inspect the cable/lifeline system per manufacturer's instructions.

Basic care of equipment will prolong the life of the unit and will contribute toward the performance of its vital safety function. Clean components using a cloth dampened with water and mild soap or detergent to remove any dirt or other substances which may have accumulated. Towel dry.

# **MILLER<sup>®</sup>**

**by SPERIAN**

Toll Free: 800.873.5242  
Fax: 800.892.4078

Download this manual at: [www.millerfallprotection.com](http://www.millerfallprotection.com)  
Téléchargez ce manuel à l'adresse: [www.millerfallprotection.com](http://www.millerfallprotection.com)  
Puede bajar por Internet este manual en: [www.millerfallprotection.com](http://www.millerfallprotection.com)

---

Sperian Fall Protection, Inc.  
P.O. Box 271, 1345 15th Street  
Franklin, PA 16323 USA